



GHOST

BACKLIGHT
Designed and Made in Italy

One fusion of Technique and Design for one perfect lighting.

Designed and produced in Italy since 1998 and exported to more than 100 countries worldwide.

Index

- 04 | What is GHOST
- 06 | Technical specs
- 08 | Sizes
- 09 | Photometric
- 10-11 | Cables options and Sections
- 12-13 | Case study

What is **GHOST**

GHOST, developed by the company BACKLIGHT, is an innovative solution of custom-made light panels.

These panels are unique in being completely transparent like glass when turned off, allowing for clear vision through them and letting light pass freely.

However, when the GHOST panel is turned on, it lights up uniformly on both sides, creating a dimming effect that transforms the view through it into barely outlined shapes.

It is possible to order GHOST panels in different Kelvin, including Tunable WHITE, RGB, and DIM to WARM.

The main applications of GHOST include creating faux skylights, partition panels, and general decorations.

This product offers an elegant and aesthetically pleasing solution to transform spaces, creating a unique and surprising atmosphere while providing the flexibility to adapt to a wide range of environments and design styles.



Technical Specs

COLOR TEMPERATURE



2000 K



2700 K



3000 K



3500 K



4100 K



5000k



Tun. White
18k-32K/3 wires



Tun. White
24k-41K/3 wires



Dim to Warm



RGB

*Under request for a minimum order quantity to be define.

CRI

> 95

INPUT VOLTAGE

24VDC

DRIVER

AC DC 24V DC OUTPUT
(class 2 Power Unit)

DIMMABILITY

by all existing systems
(0-10V, Dali, DMX, ELV/MLV, Lutron Ecosystem, ...)

LUMEN DELIVERED

290 lm per linear ft (890 lm per linear meter) of perimeter

POWER CONSUMPTION

4.5 W/ft - 14 W/mt of perimeter

IP GRADE

IP 40 - suitable for Dry Location
or IP54 (Damp location) under request

DIMENSIONS

Custom Width: from 1 FT to 4 FT
from 304,8 mm to 1219,2 mm

Custom Length: from 1 FT to 10 FT
from 304,8 mm to 3048 mm

LIFE TIME

70.000 hrs

WARRANTY

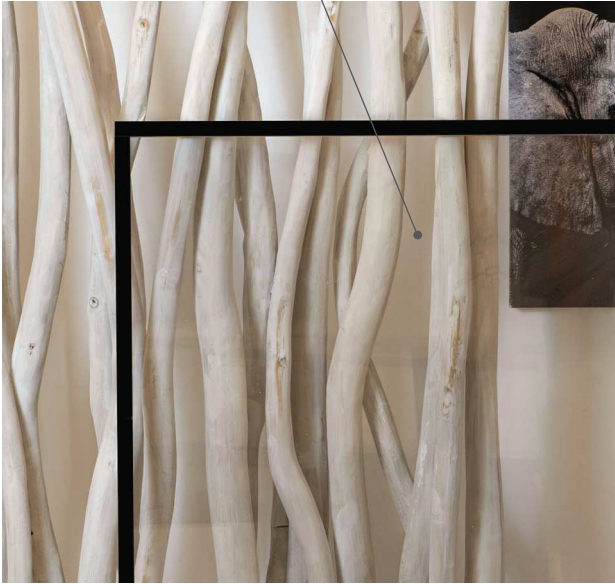
3 Years (36 month)

CERTIFICATIONS



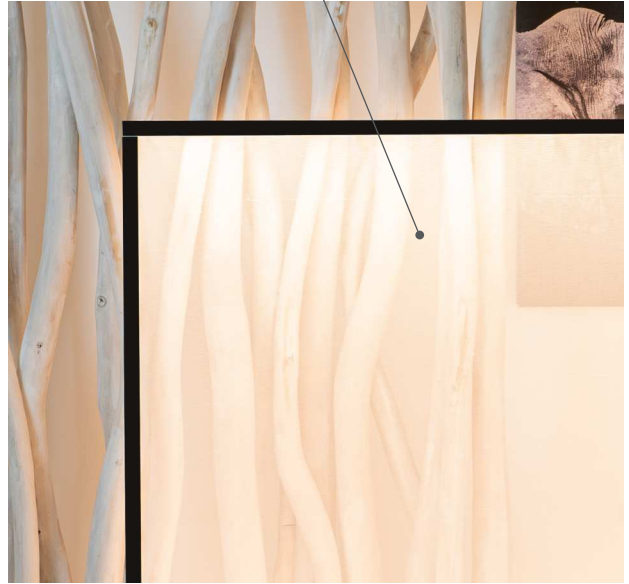
Transparency

when OFF.



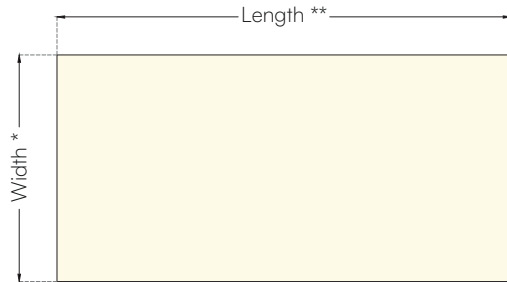
Lighting

when ON.

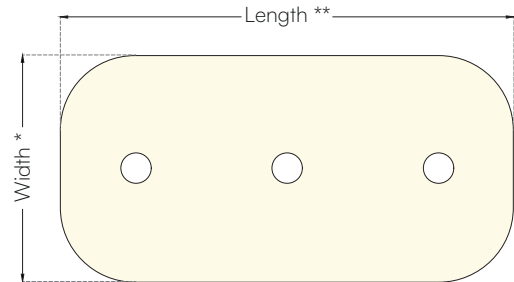


Sizes

RECTANGLE (R)



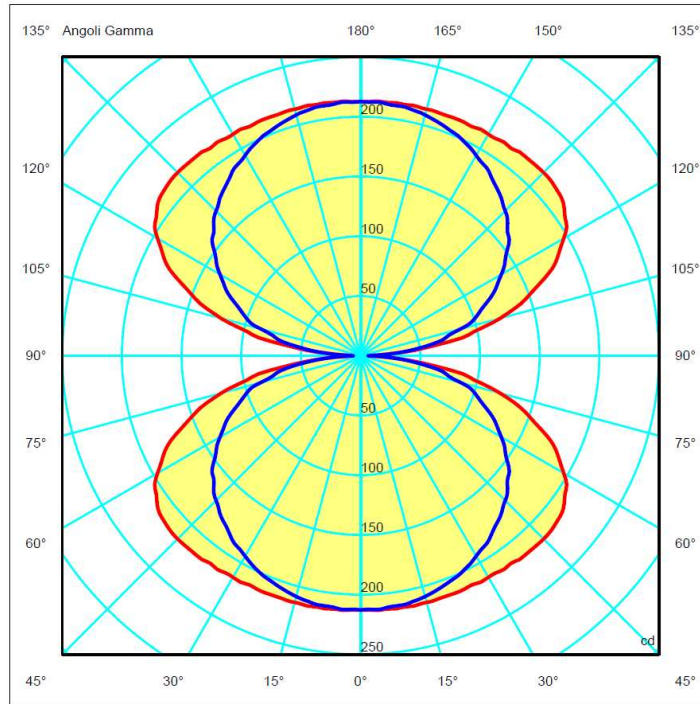
CUSTOM (C)
(Need CAD drawings)



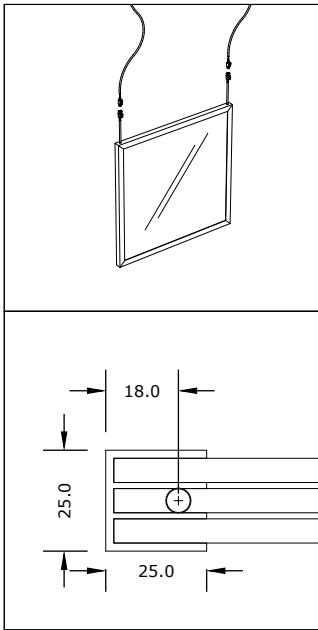
* Custom Width: from 1 FT to 4 FT
from 304,8 mm to 1219,2 mm

** Custom Length: from 1 FT to 10 FT
from 304,8 mm to 3048 mm

Photometric



Option A - with cable from the thickness



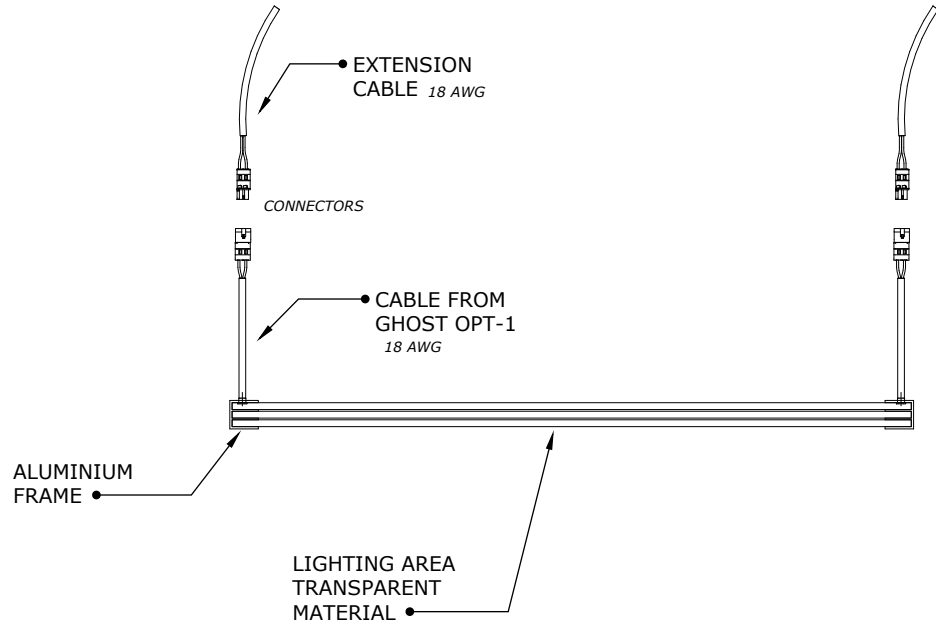
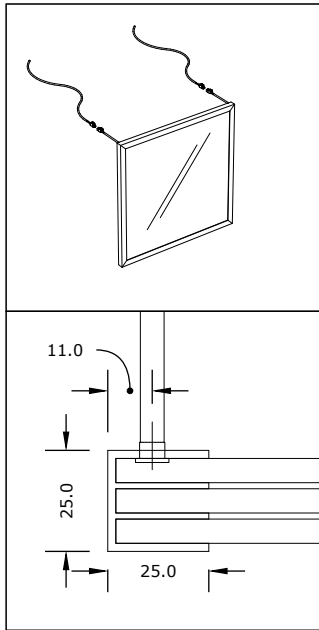
CABLE FROM
GHOST OPT-2
+ EXTENSION
CABLE
18 AWG

CONNECTORS

ALUMINIUM
FRAME

LIGHTING AREA
TRANSPARENT
MATERIAL

Option B - with cable from the rear side



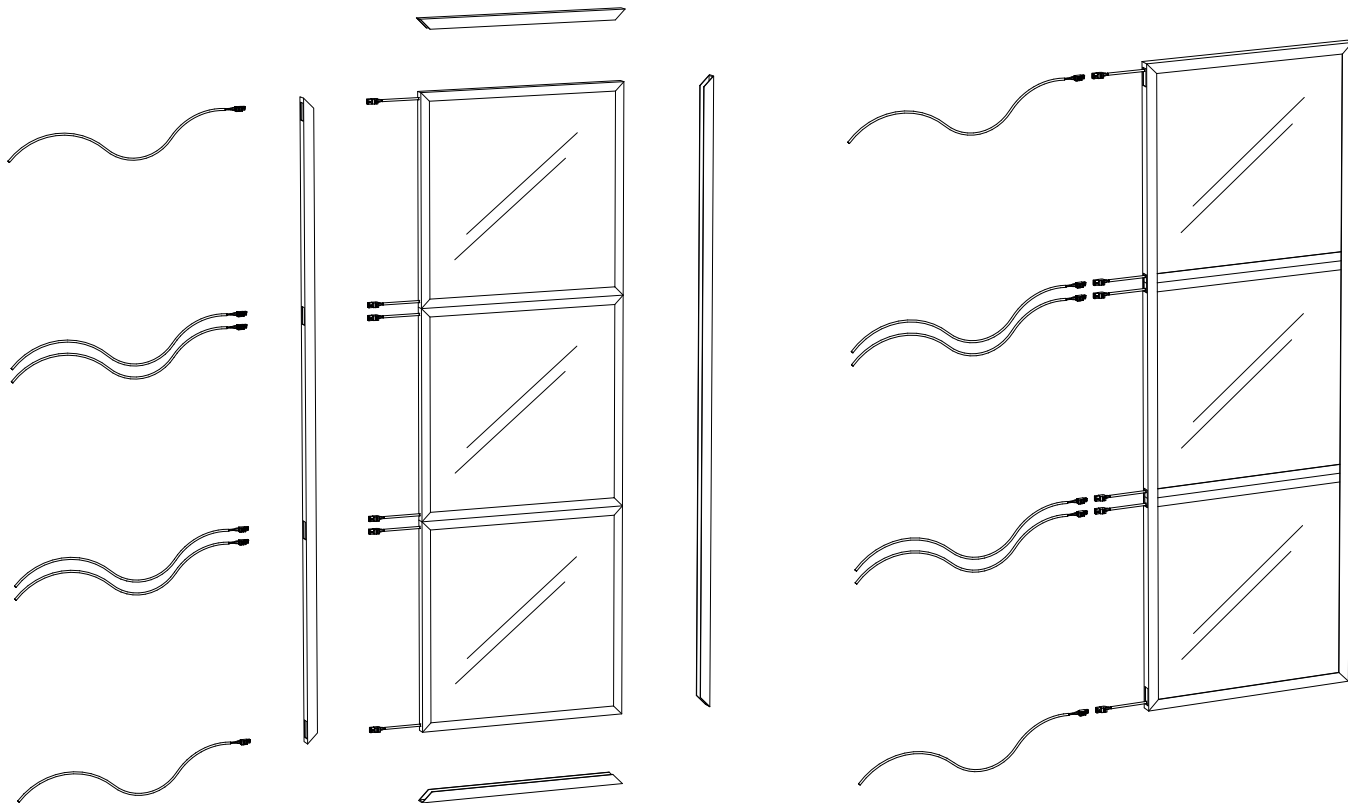
Example of installation of multiple Ghosts as a dividing wall using a metal frame.



OFF



ON



**Ghost behind
any decoration.**

OFF



ON



Off



On



*Discover all our most famous products
that have made and still make lighting history.*

MAGIC CLOUD Custom Uniform Lighting Panels

FLUSH Custom Uniform Lighting Bars

HALO Custom uniform Lighting Frames in a single piece

HIDE Line of Uniform Lighting Circles

PILL Plasterboard built-in Square and Round Lights

WETTY WET / IP67 Line

CHIARO Lighting Integration for ARMSTRONG CEILINGS

STAMP Creative light on plasterboard

BACKLIGHT

Via Alessandro Volta, 5
20876 Ornago (MB)
Italy

+39 039 6010396
www.backlightsrl.com
info@backlightsrl.com

f @ in | BACKLIGHTSRL

