

*BACKLIGHT*

**WETTY**

OUTDOOR INSTALLATION

DATA SHEET

## **Index**

WETTY 3" | 2-4

WETTY 4" | 5-7

WETTY 6" | 8-10

# WETTY SECTION 3"

## OUTDOOR INSTALLATION



### Technical Specs

#### COLOR TEMPERATURE



\*Under request for a minimum order quantity to be define.

#### CRI

> 95

#### INPUT VOLTAGE

24VDC

#### DRIVER

AC DC 24V DC OUTPUT  
(class 2 Power Unit)

#### DIMMABILITY

by all existing systems  
(ELV/MLV, 0-10V, DALI, LUTRON, DMX ...)

#### LUMEN DELIVERED

Standard output 890 lm per linear mt (290 lm per linear ft)  
High output 1780 lm per linear mt (580 lm per linear ft) of the longer side

#### POWER CONSUMPTION

Standard output 14 W per linear mt (4,5 W per linear ft)  
High output 28 W per linear mt (9 W per linear ft)

#### IP | IK GRADE

IP65 for Wet Location | IK10

#### DIMENSIONS SHORT SIDE

MM 76.2  
INCHES 3.0

#### DIMENSION LONG SIDE

MM 304.8 to 3048.0 mm  
INCHES 12.0 to 120.0 in

#### LIFE TIME

70.000 hrs

#### WARRANTY

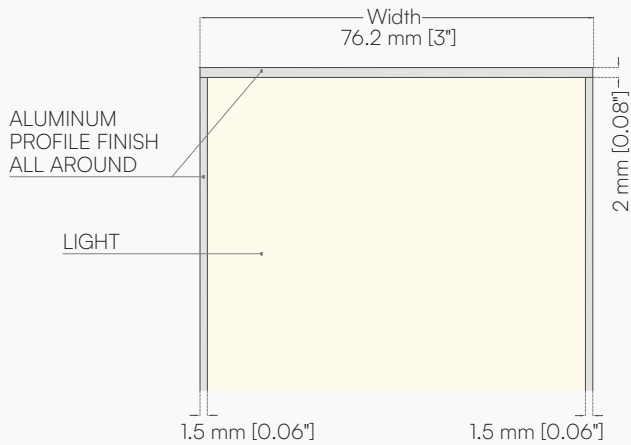
3 Years (36 month)

#### CERTIFICATIONS

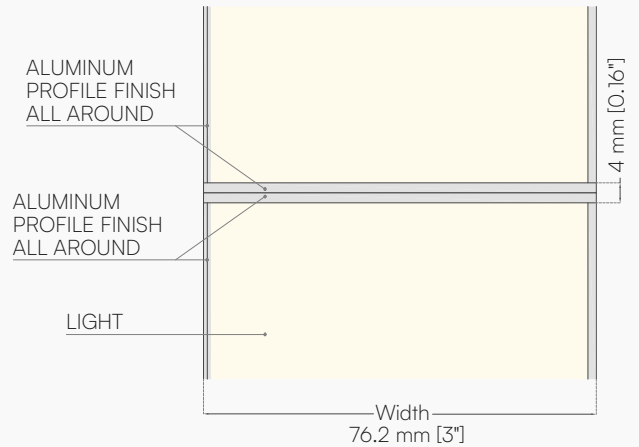


# WETTY SECTION 3"

## LIGHT VIEW

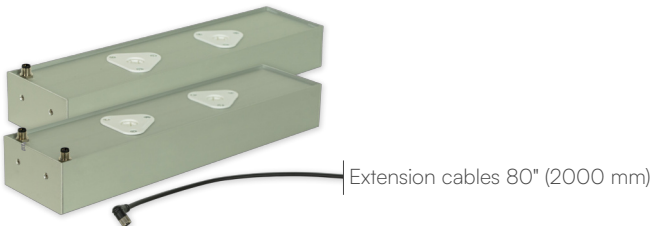


## LIGHT VIEW BETWEEN THE PANELS



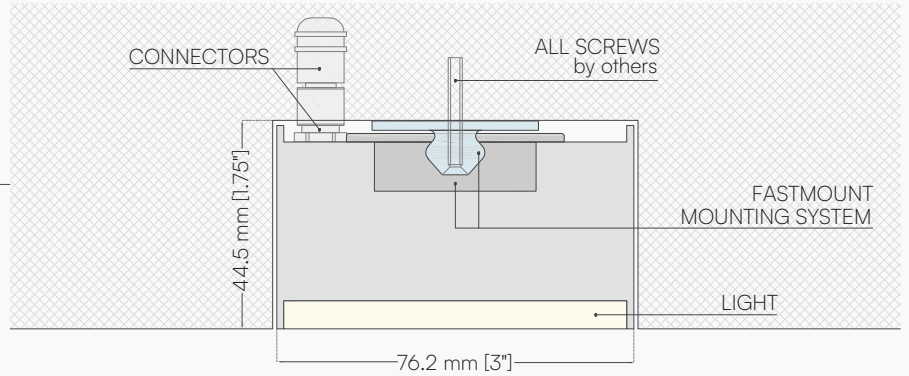
Name	Use *	Size *	Kelvin	Brightness	Dimming	Mounting system *
WETTY	Ceiling Wall	L - linear (3" x Length)	<ul style="list-style-type: none"> <li>● 2000 K</li> <li>● 2700 K</li> <li>● 3000 K</li> <li>● 3500 K</li> <li>● 4100 K</li> <li>● 5000 K</li> <li>● Tun W (20K-65K / 3 wires)</li> <li>● Tun W (27K-65K / 3 wires)</li> <li>● RGB</li> <li>● RGBW*</li> <li>● RGBTW*</li> </ul>	Standard bright (4.5 W/ft - 14 W/mt)  High bright (9 W/ft - 28 W/mt)	No dimming 0-10V Dali DMX ELV/MLV Lutron Ecosystem	No mounting system Steel Cords (Shy suspended) Uplight (Laying on existing) Fastmount

\* Backlight reserves the right to modify and advise in case the dimension of the panel doesn't allow to use the system selected.

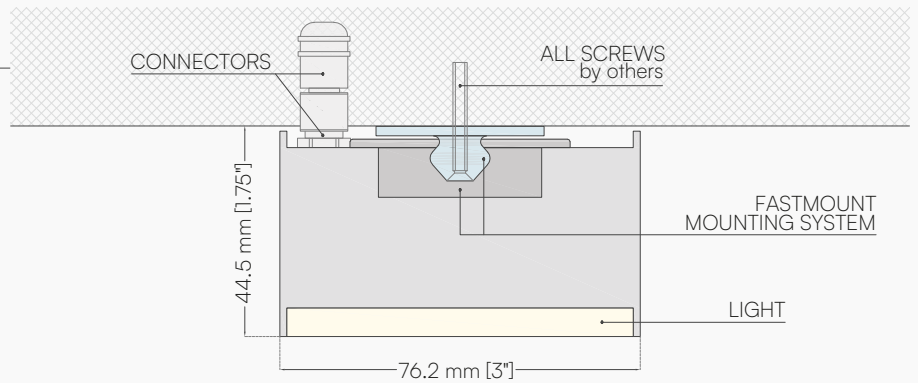
Cable options	Other options
Backfeed  BKL < 42W 1 cable BKL > 42W 2 cables  	IP: IP65 Wet location  NOTE: _____ _____ _____ _____ _____ _____

### Mounting system

#### RECESSED MOUNTING



#### SURFACE MOUNTING



MALE CONNECTOR

FEMALE CONNECTOR

23 mm [0.905"]

28 mm [1.1"]

CABLE

Long section

Width 76.2 mm [3"]

ALUMINUM PROFILE FINISH

MALE CONNECTOR \* part of Backlight

Rear Side

# WETTY SECTION 4"

## OUTDOOR INSTALLATION



### Technical Specs

#### COLOR TEMPERATURE



**CRI**  
> 95

**INPUT VOLTAGE**  
24VDC

**DRIVER**  
AC DC 24V DC OUTPUT  
(class 2 Power Unit)

**DIMMABILITY**  
by all existing systems  
(ELV/MLV, 0-10V, DALI, LUTRON, DMX ...)

**LUMEN DELIVERED**  
Standard output 890 lm per linear mt (290 lm per linear ft)  
High output 1780 lm per linear mt (580 lm per linear ft) of the longer side

**POWER CONSUMPTION**  
Standard output 14 W per linear mt (4,5 W per linear ft)  
High output 28 W per linear mt (9 W per linear ft)

**IP | IK GRADE**  
IP65 for Wet Location | IK10

**DIMENSIONS SHORT SIDE**  
MM 101.6  
INCHES 4.0

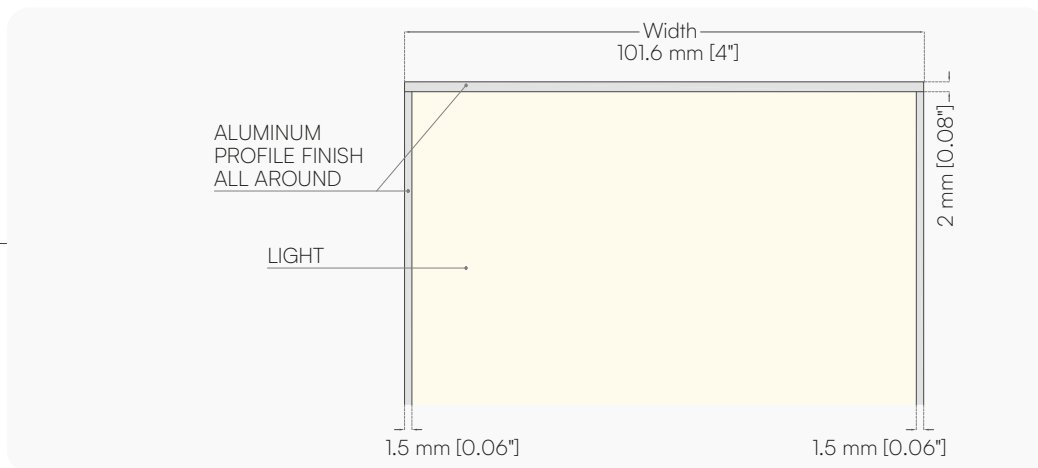
**DIMENSION LONG SIDE**  
MM 304.8 to 3048.0 mm  
INCHES 12.0 to 120.0 in

**LIFE TIME**  
70.000 hrs

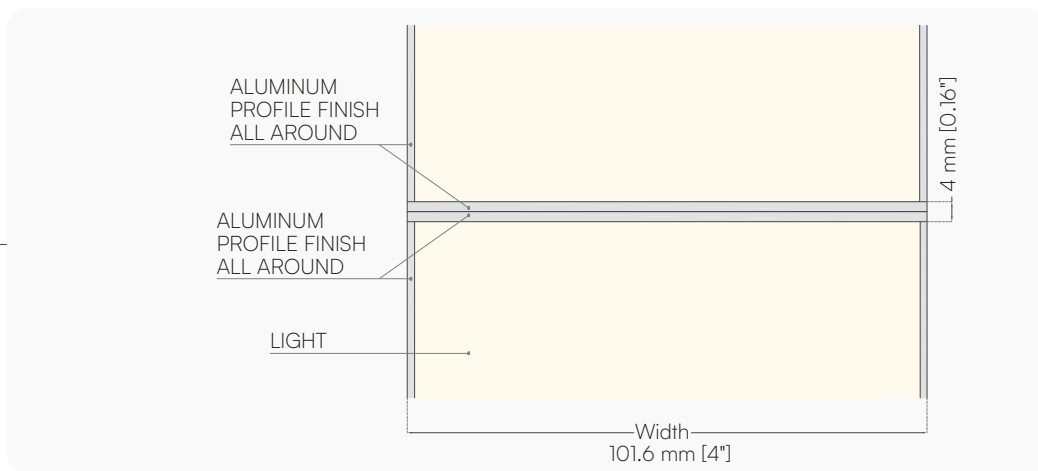
**WARRANTY**  
3 Years (36 month)

**CERTIFICATIONS**  
CE ENEC cULus

**LIGHT VIEW**




**LIGHT VIEW BETWEEN THE PANELS**



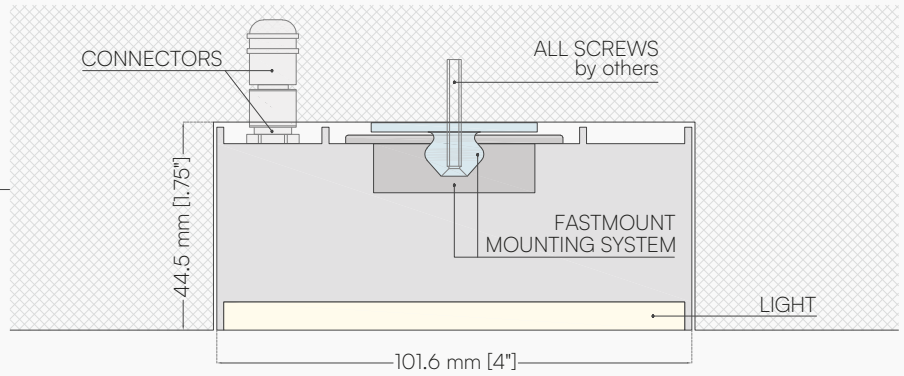
Name	Use *	Size *	Kelvin	Brightness	Dimming	Mounting system *
WETTY	Ceiling Wall	L - linear (4" x Length)	<ul style="list-style-type: none"> <li><span style="color: orange;">●</span> 2000 K</li> <li><span style="color: orange;">●</span> 2700 K</li> <li><span style="color: yellow;">●</span> 3000 K</li> <li><span style="color: grey;">●</span> 3500 K</li> <li><span style="color: grey;">●</span> 4100 K</li> <li><span style="color: lightblue;">●</span> 5000 K</li> <li><span style="color: orange;">●</span> Tun W (20K-65K / 3 wires)</li> <li><span style="color: orange;">●</span> Tun W (27K-65K / 3 wires)</li> <li><span style="color: red;">●</span> <span style="color: green;">●</span> <span style="color: blue;">●</span> RGB</li> </ul>	Standard bright (4.5 W/ft - 14 W/mt)  High bright (9 W/ft - 28 W/mt)	No dimming 0-10V Dali DMX ELV/MLV Lutron Ecosystem	No mounting system Steel Cords (Shy suspended) Uplight (Laying on existing) Fastmount

\* Backlight reserves the right to modify and advise in case the dimension of the panel doesn't allow to use the system selected.

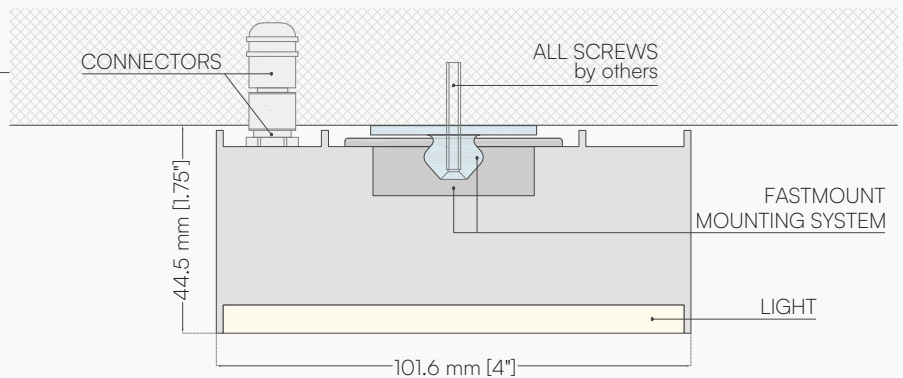
Cable options	Other options
Backfeed   Extension cables 80" (2000 mm)	IP: IP65 Wet location  NOTE: _____ _____ _____ _____ _____

Mounting system

RECESSED MOUNTING



SURFACE MOUNTING



MALE CONNECTOR

FEMALE CONNECTOR

23 mm [0.905"]

28 mm [1.111"]

CABLE

Long section

Width 101.6 mm [4"]

ALUMINUM PROFILE FINISH

MALE CONNECTOR \* part of Backlight

Rear Side

# WETTY SECTION 6"

## OUTDOOR INSTALLATION



## Technical Specs

### COLOR TEMPERATURE



### CRI

> 95

### INPUT VOLTAGE

24VDC

### DRIVER

AC DC 24V DC OUTPUT  
(class 2 Power Unit)

### DIMMABILITY

by all existing systems  
(ELV/MLV, 0-10V, DALI, LUTRON, DMX ...)

### LUMEN DELIVERED

Standard output 890 lm per linear mt (290 lm per linear ft)  
High output 1780 lm per linear mt (580 lm per linear ft) of the longer side

### POWER CONSUMPTION

Standard output 14 W per linear mt (4,5 W per linear ft)  
High output 28 W per linear mt (9 W per linear ft)

### IP | IK GRADE

IP65 for Wet Location | IK10

### DIMENSIONS SHORT SIDE

MM 152.4  
INCHES 6.0

### DIMENSION LONG SIDE

MM 304.8 to 3048.0 mm  
INCHES 12.0 to 120.0 in

### LIFE TIME

70.000 hrs

### WARRANTY

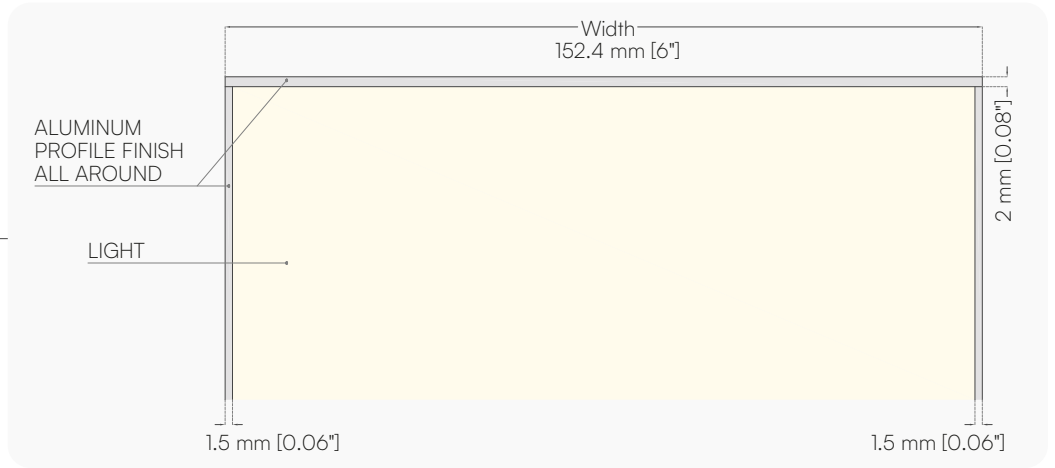
3 Years (36 month)

### CERTIFICATIONS

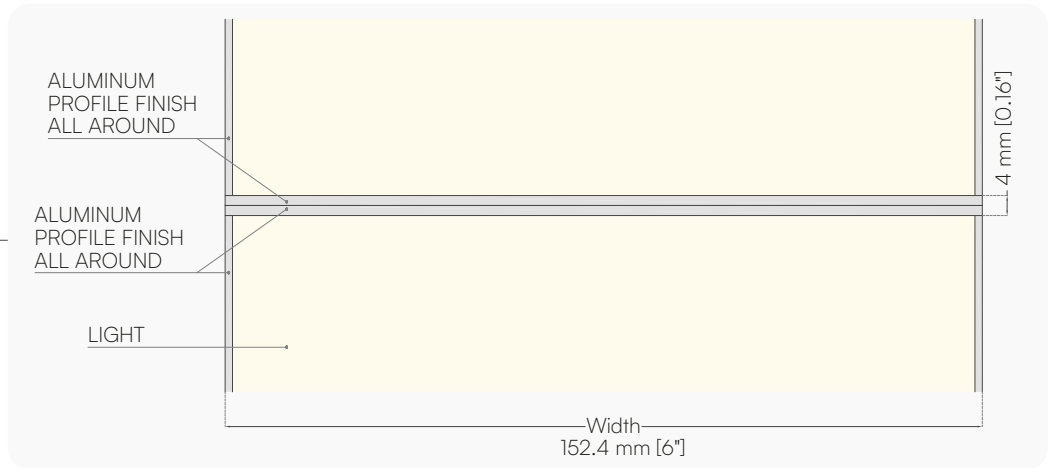




**LIGHT VIEW**



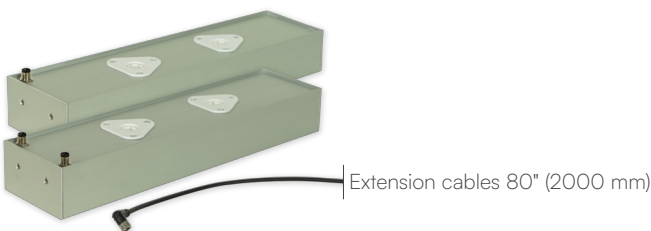
**LIGHT VIEW BETWEEN THE PANELS**



Name	Use *	Size *	Kelvin	Brightness	Dimming	Mounting system *
WETTY	Ceiling Wall	L - linear (6" x Length)	<ul style="list-style-type: none"> <li>● 2000 K</li> <li>● 2700 K</li> <li>● 3000 K</li> <li>● 3500 K</li> <li>● 4100 K</li> <li>● 5000 K</li> <li>● Tun W (20K-65K / 3 wires)</li> <li>● Tun W (27K-65K / 3 wires)</li> <li>● RGB</li> </ul>	Standard bright (4.5 W/ft - 14 W/mt)  High bright (9 W/ft - 28 W/mt)	No dimming 0-10V Dali DMX ELV/MLV Lutron Ecosystem	No mounting system Steel Cords (Shy suspended) Uplight (Laying on existing) Fastmount

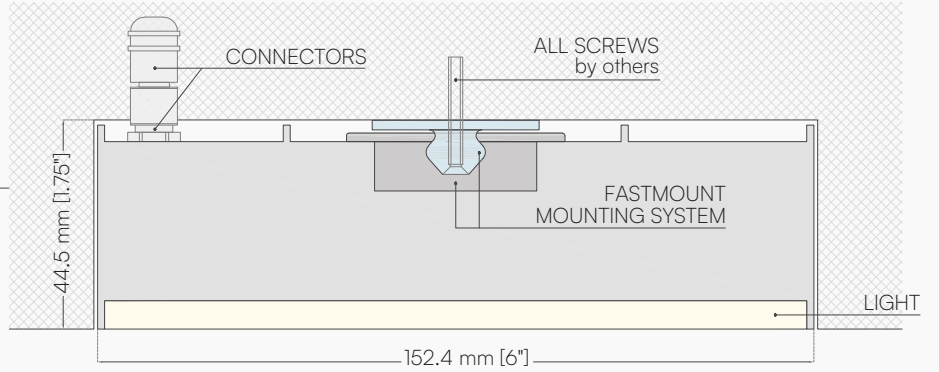
\* Backlight reserves the right to modify and advise in case the dimension of the panel doesn't allow to use the system selected.

Cable options	Other options
Backfeed  BKL < 42W 1 cable BKL > 42W 2 cables	IP: IP65 Wet location  NOTE: _____ _____ _____ _____ _____ _____

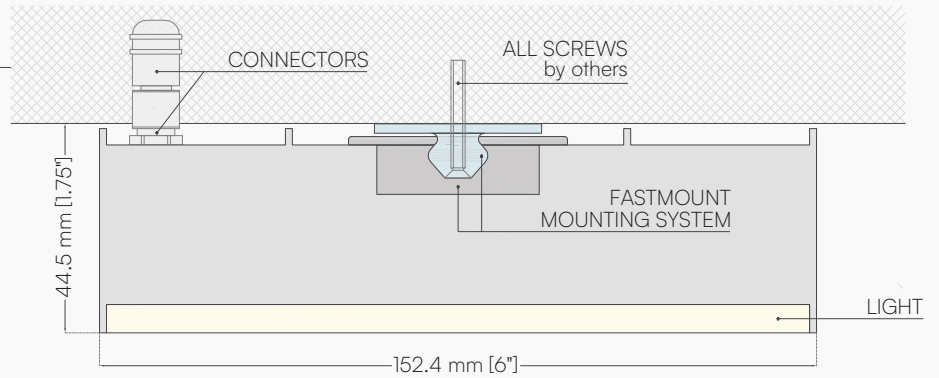


### Mounting system

#### RECESSED MOUNTING

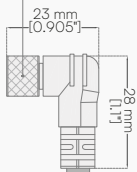


#### SURFACE MOUNTING



MALE CONNECTOR

FEMALE CONNECTOR



Long section

Width  
152.4 mm [6"]

ALUMINUM PROFILE FINISH

MALE CONNECTOR \*  
part of Backlight

Rear Side

Project: \_\_\_\_\_

Date: \_\_\_\_\_


Rev: \_\_\_\_\_

Name	Use *	Size *	Kelvin	Brightness	Dimming	Mounting system *
WETTY	Ceiling Wall	L - linear (Width x Length)	<ul style="list-style-type: none"> <li><span style="color: #f4a460;">●</span> 2000 K</li> <li><span style="color: #f4a460;">●</span> 2700 K</li> <li><span style="color: #f4a460;">●</span> 3000 K</li> <li><span style="color: #d9ead3;">●</span> 3500 K</li> <li><span style="color: #d9ead3;">●</span> 4100 K</li> <li><span style="color: #d9ead3;">●</span> 5000 K</li> <li><span style="color: #f4a460;">●</span> Tun W (20K-65K / 3 wires)</li> <li><span style="color: #f4a460;">●</span> Tun W (27K-65K / 3 wires)</li> <li><span style="color: red;">●</span> RGB</li> <li><span style="color: green;">●</span> RGBW**</li> <li><span style="color: blue;">●</span> RGBTW**</li> </ul>	<p>Standard bright (4.5 W/ft - 14 W/mt)</p> <p>High bright (9 W/ft - 28 W/mt)</p>	<p>No dimming</p> <p>0-10V</p> <p>Dali</p> <p>DMX</p> <p>ELV/MLV</p> <p>Lutron Ecosystem</p>	<p>No mounting system</p> <p>Steel Cords (Shy suspended)</p> <p>Uplight (Laying on existing)</p> <p>Fastmount</p>

\* Backlight reserves the right to modify and advise in case the dimension of the panel doesn't allow to use the system selected.

\*\* For Wetty 3" only.

Q.ty	Type	Use *	Width	Length / Height	Notes - Scope of work

Cable options	Other options
<p>Backfeed</p> <p>BKL &lt; 42W 1 cable BKL &gt; 42W 2 cables</p>  <p>Extension cables 80" (2000 mm)</p>	<p>IP: IP65 Wet location</p> <p>NOTE: _____</p> <p>_____</p> <p>_____</p> <p>_____</p> <p>_____</p> <p>_____</p> <p>_____</p>